



24V ELV Dimmable LED Driver

Integrated Junction Box

96W | 192W | 288W

Specification Sheet

Features

- Output constant Voltage, class 2 multi-channels.
- UL, cUL listed, Class 2, Type HL.
- Range: 100-277VAC.
- Built-in active PFC function.
- Efficiency up to 91%.
- Protections: short circuit/ over load/ over temperature.
- Cooling by free air convection.
- Full protection metal housing, for dry, damp and wet locations.
- Phase dimming: work with forward phase/ leading edge, MLV and Reverse phase/ trailing edge ,ELV,TRIAC dimmers.
- Dimming range: 0-100%.

Specification

	Models	JVC-24V-96-ELV	JVC-24V-192-ELV	JVC-24V-288-ELV
Output	DC Voltage 24V	24V	24V	24V
	Rated current	4A	2x4A	3X4A
	Rated Power	96W	2x96W (192W)	3x96W (288W)
	Voltage Tolerance	±0.5V		
	Voltage Regulation	±0.5%		
	Load Regulation	±1%		
Input	Voltage Range	100-277VAC		
	Frequency Range	47-63Hz		
	AC Current (Max)	1.3A @ 100VAC		
	Inrush Current (Typ.)	20A, 50%, 1.6ms		
	Efficiency (Typ.)	83% @ full load		
	Power Factor (Typ.) @ 100%	0.98@120VAC, 0.96@277VAC		
	THD (Typ.) @ 100%	< 20%		
Other	Leakage Current	< 0.50mA		
	Working Temperature	-40°C to +60°C		
	Safety Standards	UL8750 + UL1310		
	Size	8.7" X 3.7" X 1.6"	10.3" X 4" X 1.8"	10.3" X 4" X 1.8"
Weight	4 lbs	4.4 lbs	4.4 lbs	

Project Name :
Location :
Quantity :
Date :
Note :



Order Information

Example: JVC-24V-96-ELV

Model	Output Power	Output Current	Dimming ELV
JVC-24V-96-ELV	1 X 96W	1 X 4A	TRAVC/ELV Dimmable
JVC-24V-192-ELV	2 X 96W	2 X 4A	
JVC-24V-288-ELV	3 X 96W	3 X 4A	



Class 2

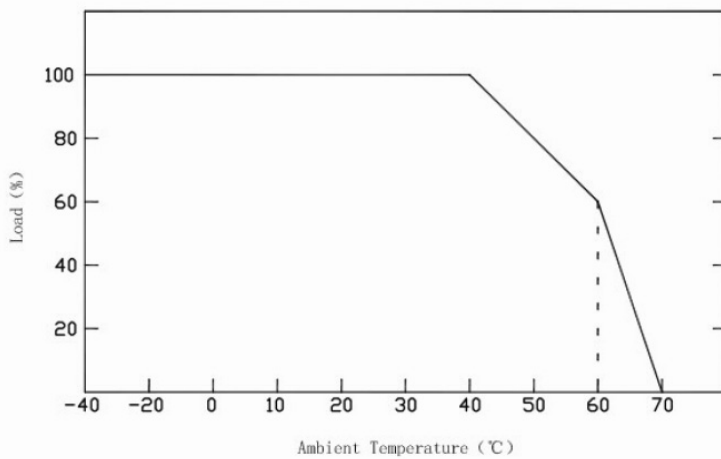


24V ELV Dimmable LED Driver Integrated Junction Box

Maximum Run - Class II 96W

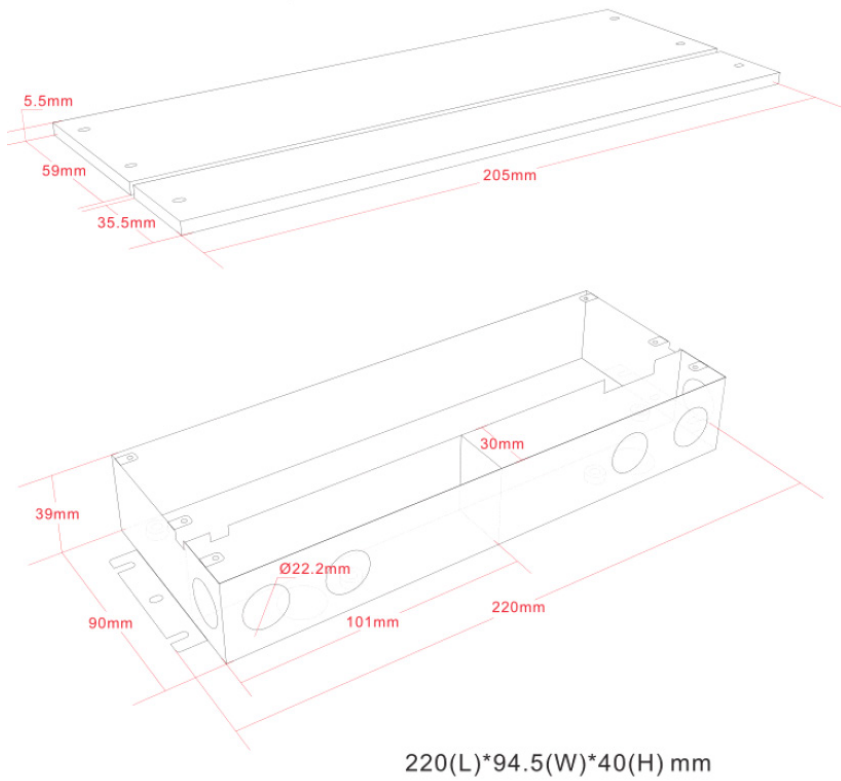
Model	Name	Power	Max Run
2835-24V-60	S-Bend Strip Light	12W/m (3.66W/ft)	26ft
2835-24V-160	Platinum Strip Light	14.4W/m (4.4W/ft)	22ft
3528-24V-96	Low-Output Strip Light	7.7W/m (2.3W/ft)	42ft
3528-24V-120	Commercial Strip Light	9.6W/m (2.9W/ft)	33ft
3528-24V-180	High Density Strip Light	14.5W/m (4.4W/ft)	22ft

Derating Curve



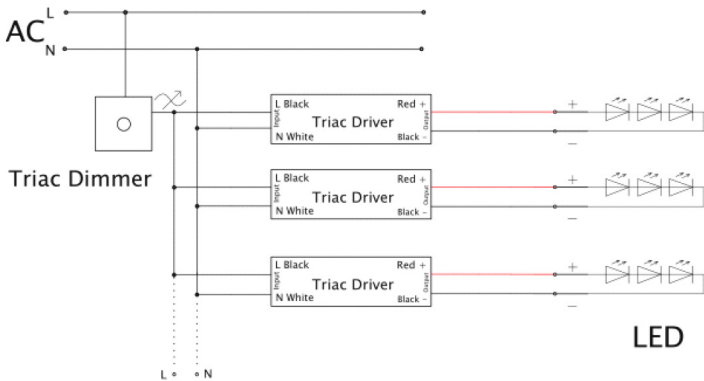
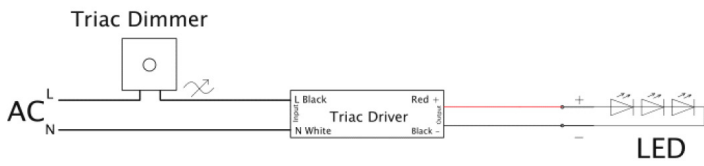
24V ELV Dimmable LED Driver Integrated Junction Box

96W Mechanical Specification



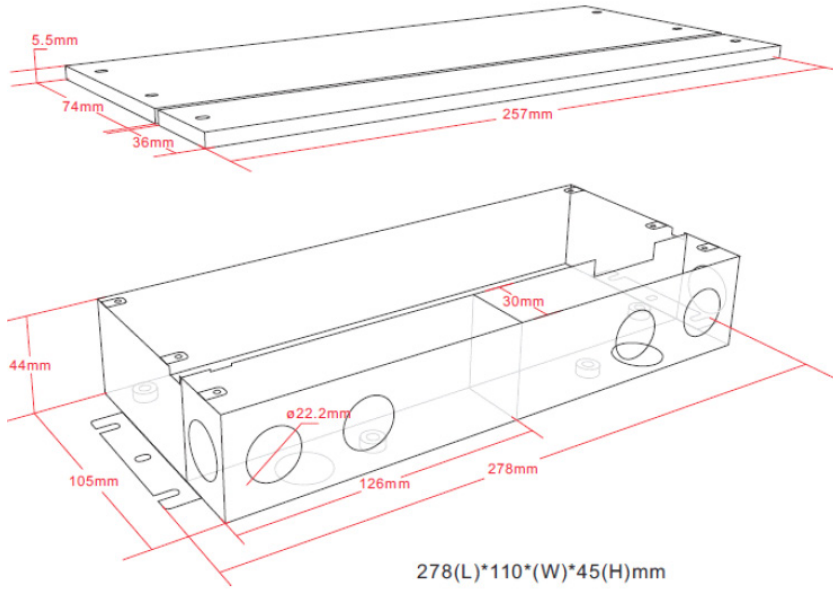
Unite: mm
Tolerance:P 0.5-2mm

96W Connecting Diagram



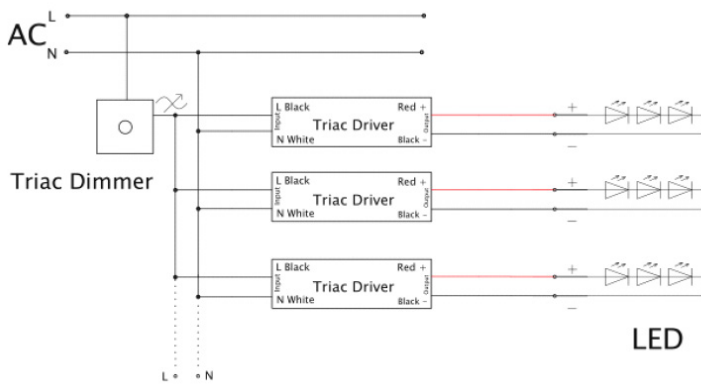
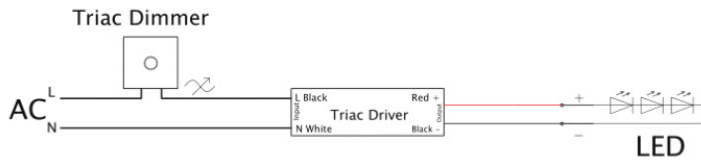
24V ELV Dimmable LED Driver Integrated Junction Box

192W Mechanical Specification



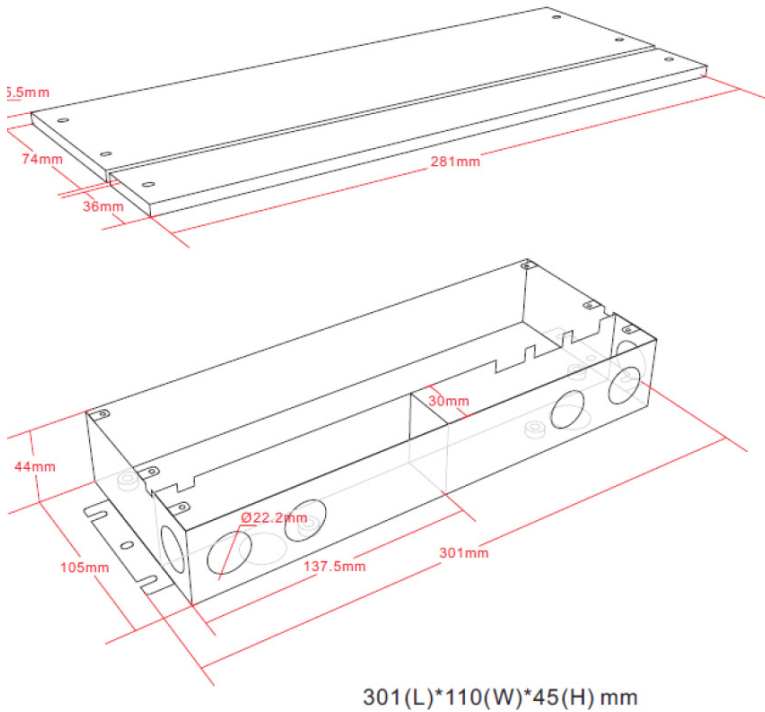
Unite: mm
Tolerance:P 0.5-2mm

192W Connecting Diagram



24V ELV Dimmable LED Driver Integrated Junction Box

288W Mechanical Specification



Unite: mm
Tolerance:P 0.5-2mm

288W Connecting Diagram

