



## 24V 0-10V Dimmable LED Driver

Integrated Junction Box

96W | 192W | 288W

### Features

- Output constant Voltage, class 2 multi-channels.
- UL, cUL listed, Class 2, Type HL.
- Range: 100-277VAC.
- Built-in active PFC function.
- Efficiency up to 91%.
- Protections: short circuit/ over load/ over temperature.
- Cooling by free air convection.
- Full protection metal housing, for dry, damp and wet locations.
- 0-10V dimming: 0-10V/1-10V/Potentiometer/10V PWM 4 in 1.
- Dimming range: 0-100%.

### Specification

|                            | Models              | JVC-24V-96-DIM           | JVC-24V-192-DIM   | JVC-24V-288-DIM   |
|----------------------------|---------------------|--------------------------|-------------------|-------------------|
| Output                     | DC Voltage 24V      | 24V                      | 24V               | 24V               |
|                            | Rated current       | 4A                       | 2x4A              | 3x4A              |
|                            | Rated Power         | 96W                      | 2x96W (192W)      | 3x96W (288W)      |
|                            | Voltage Tolerance   | ±0.5V                    |                   |                   |
|                            | Voltage Regulation  | ±0.5%                    |                   |                   |
|                            | Load Regulation     | ±1%                      |                   |                   |
|                            | Input               | Voltage Range            | 100-277VAC        |                   |
| Frequency Range            |                     | 47-63Hz                  |                   |                   |
| AC Current (Max)           |                     | 1.3A @ 100VAC            |                   |                   |
| Inrush Current (Typ.)      |                     | 20A, 50%, 1.6ms          |                   |                   |
| Efficiency (Typ.)          |                     | 83% @ full load          |                   |                   |
| Power Factor (Typ.) @ 100% |                     | 0.98@120VAC, 0.96@277VAC |                   |                   |
| THD (Typ.) @ 100%          |                     | < 20%                    |                   |                   |
| Leakage Current            |                     | < 0.50mA                 |                   |                   |
| Other                      | Working Temperature | -40°C to +60°C           |                   |                   |
|                            | Safety Standards    | UL8750 + UL1310          |                   |                   |
|                            | Size                | 8.7" X 3.7" X 1.6"       | 10.3" X 4" X 1.8" | 10.3" X 4" X 1.8" |
|                            | Weight              | 4 lbs                    | 4.4 lbs           | 4.4 lbs           |

### Order Information

Example: JVC-24V-96-DIM

| Model           | Output Power | Output Current | Dimming DIM |
|-----------------|--------------|----------------|-------------|
| JVC-24V-96-DIM  | 1 X 96W      | 1 X 4A         |             |
| JVC-24V-192-DIM | 2 X 96W      | 2 X 4A         | DIM- 0-10V  |
| JVC-24V-288-DIM | 3 X 96W      | 3 X 4A         |             |

## Specification Sheet

|                |
|----------------|
| Project Name : |
| Location :     |
| Quantity :     |
| Date :         |
| Note :         |



**Class 2**

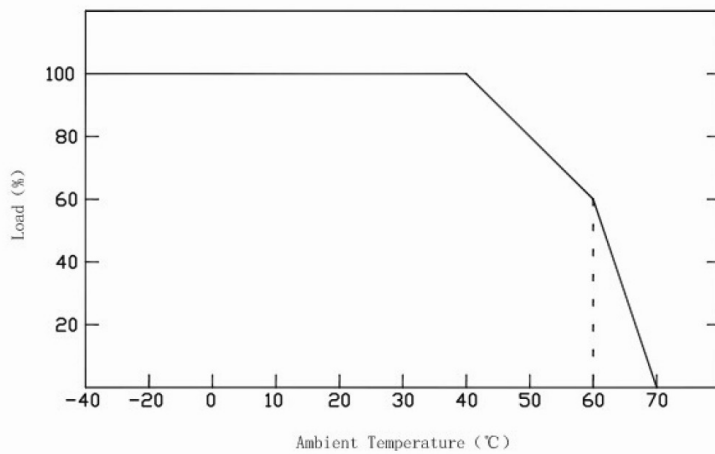


## 24V 0-10V Dimmable LED Driver Integrated Junction Box

### Maximum Run - Class II 96W

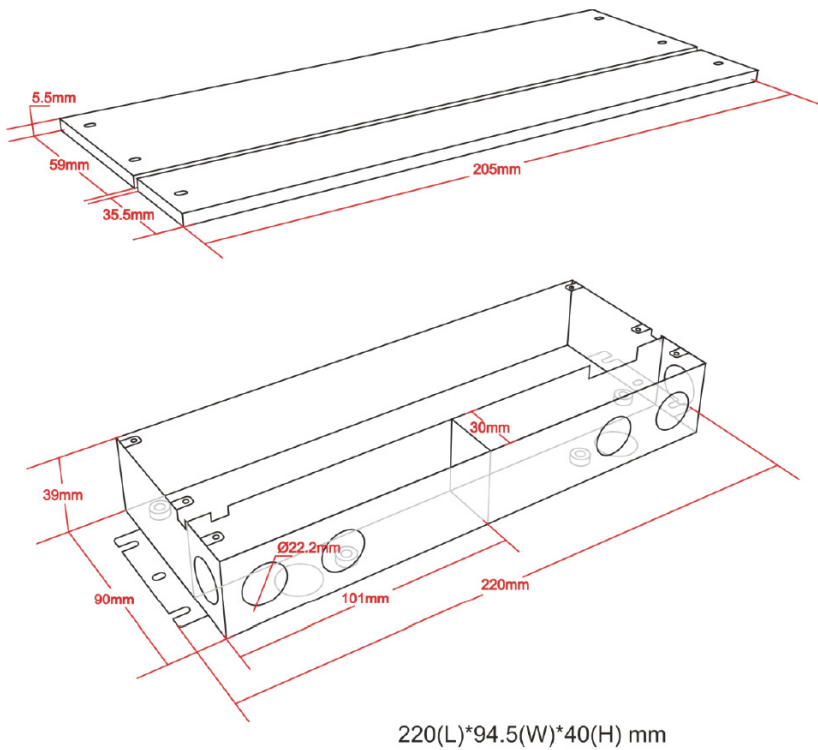
| Model        | Name                     | Power             | Max Run |
|--------------|--------------------------|-------------------|---------|
| 2835-24V-60  | S-Bend Strip Light       | 12W/m (3.66W/ft)  | 26ft    |
| 2835-24V-160 | Platinum Strip Light     | 14.4W/m (4.4W/ft) | 22ft    |
| 3528-24V-96  | Low-Output Strip Light   | 7.7W/m (2.3W/ft)  | 42ft    |
| 3528-24V-120 | Commercial Strip Light   | 9.6W/m (2.9W/ft)  | 33ft    |
| 3528-24V-180 | High Density Strip Light | 14.5W/m (4.4W/ft) | 22ft    |

### Derating Curve



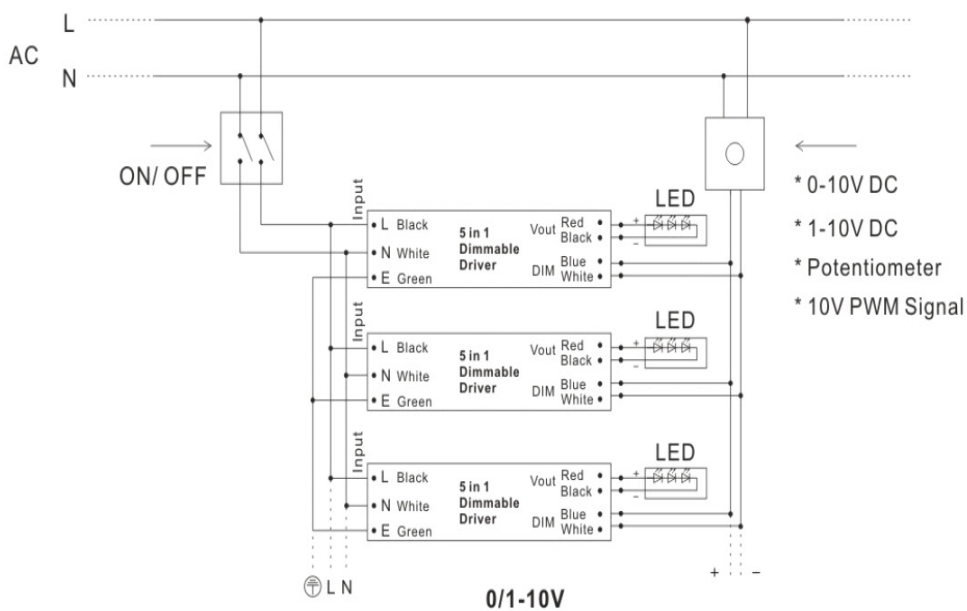
# 24V 0-10V Dimmable LED Driver Integrated Junction Box

## 96W Mechanical Specification



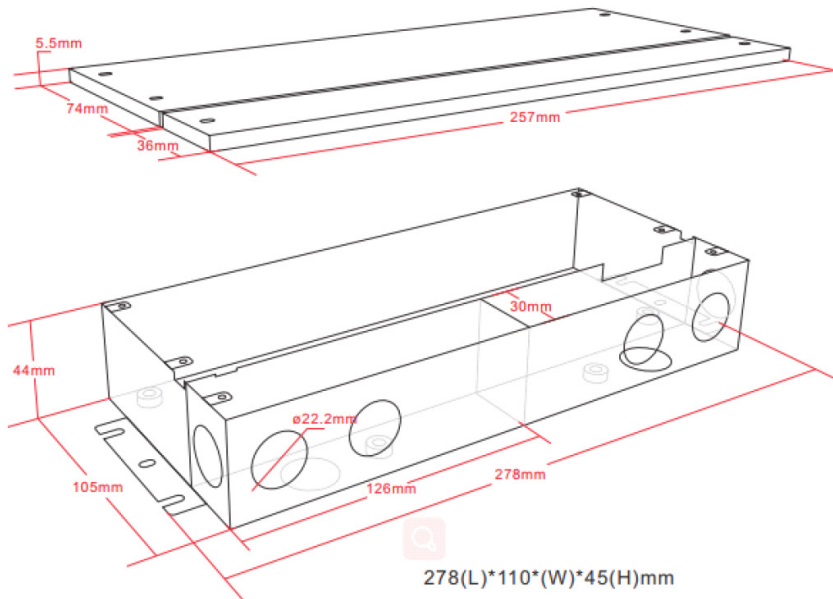
Unite: mm  
Tolerance: 0.5-2mm

## 96W Connecting Diagram Using 0-10/1-10V dimming



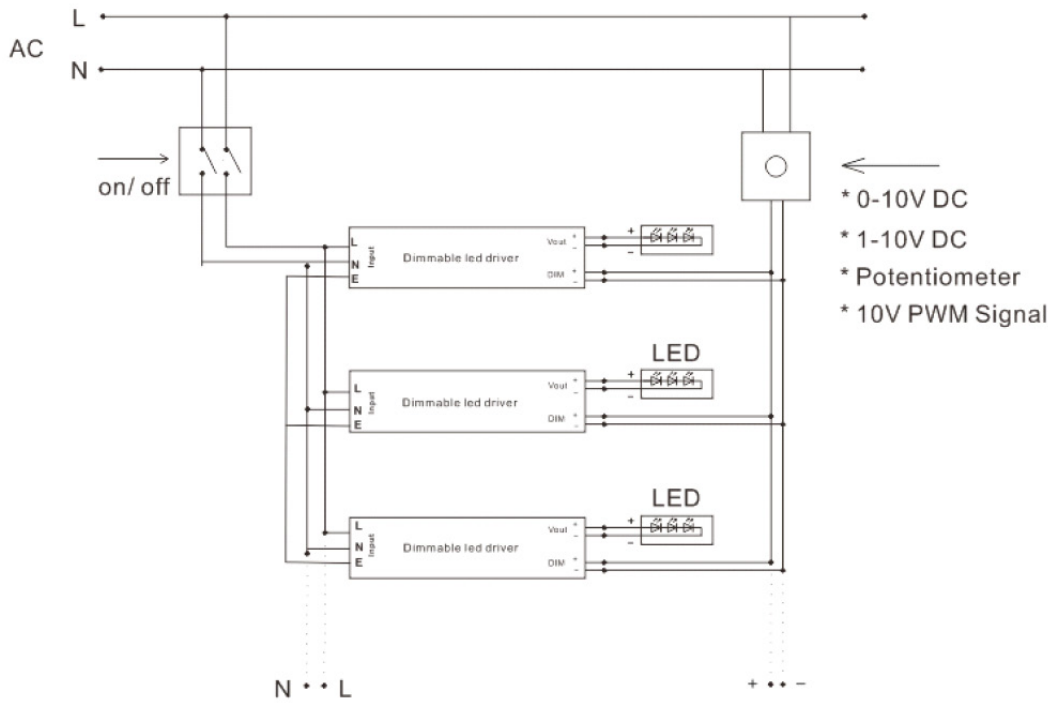
# 24V 0-10V Dimmable LED Driver Integrated Junction Box

## 192W Mechanical Specification



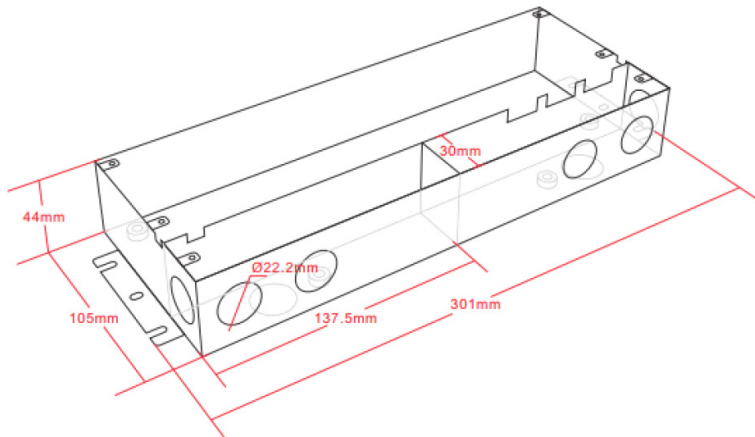
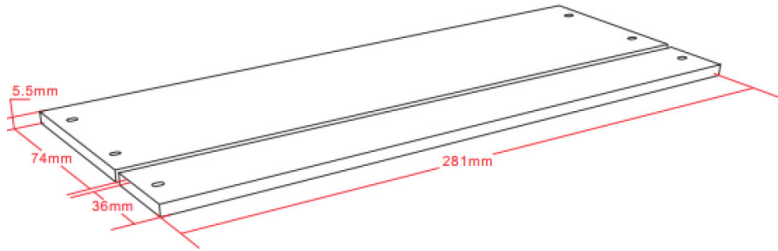
Unite: mm  
Tolerance:P 0.5-2mm

## 192W Dimming Operation and Connecting Diagram Using 0-10V/1-10V dimming



# 24V 0-10V Dimmable LED Driver Integrated Junction Box

## 288W Mechanical Specification



301(L)\*110(W)\*45(H) mm

Unite: mm  
Tolerance:P 0.5-2mm

## 288W Dimming Operation and Connecting Diagram Using 0-10/1-10V dimming

