

PRODUCT DESCRIPTION

Corner mount profile, designed for millwork or general purpose application.

ORDERING CODE

AL MODEL LENGTH(in)

AL - 007-R - 98

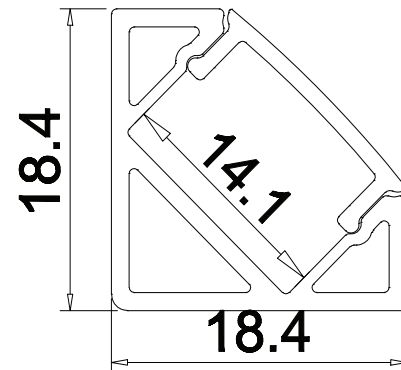
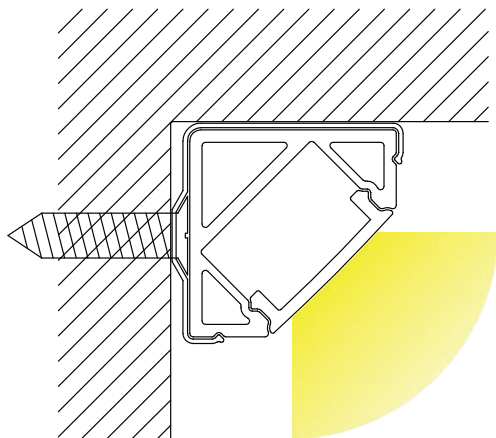
**SPECIFICATION**

Dimension 18.4mm x 18.4mm

Length 98"

Internal Width 14.1mm

Color Silver

DIMENSION**INSTALLATION****ACCESSORIES**

AL -007-R -EC