



## MIZAR R004

4" Fixed Recessed Downlight

Dual Mode | Dim Warming | Selectable 4 CCT

Project Name :
Location :
Quantity :
Date :
Note :

### Feature

R004 combines dim-to-warm and selectable colour temperature technologies in one fixture, enabling you to bring the best mood for to both commercial and residential applications. The stylish narrow trim design blends the fixture unobtrusively into the ceiling, and the deep regressed lens eliminates glare. The CRI>95 LED provides the most natural and comfortable light source.

### Ordering Code

<p><b>W</b> - Matt White</p> <p><b>B</b> - Matt Black</p> <p><b>S</b> - Matt Silver</p>
---

### Modes

**Selectable 4 CCT mode:**

- 2200K, CRI>95
- 3000K, CRI>95
- 3500K, CRI>95
- 4000K, CRI>95

**Dim warming mode:**

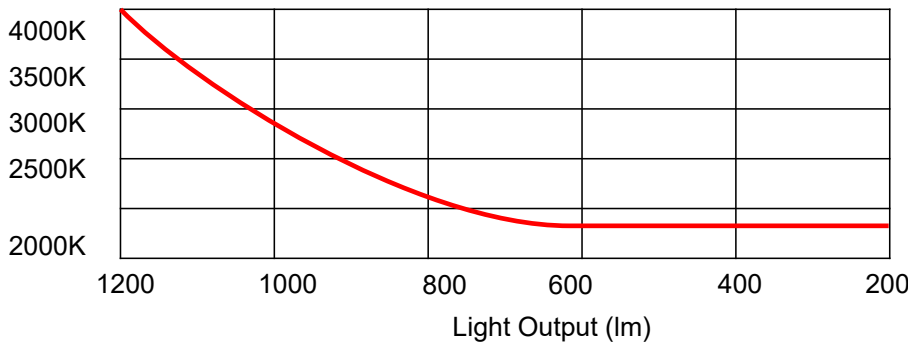
- 4000K to 2200K

### Specification

- Application: Ceiling Recessed Mount
- DCOB (Driver on COB) light engine
- Ø 4¼ inch cut out hole
- Ø 1½ inch aperture
- Aiming: fixed
- Powder coated spun aluminum trim
- PMMA diffuser
- Clip designed for max. 1" thick ceiling
- Source lumen: 1500lm@15W
- Source lumens per watt: 110
- Delivered lumen: 1013lm@12W
- Lumen Maintenance: 70% @60,000 hrs
- Approved Location: IP20, Dry
- Certification: cETLus
- Five year limited warranty, consult website for detail: [vyvydlighting.ca/legal](http://vyvydlighting.ca/legal)

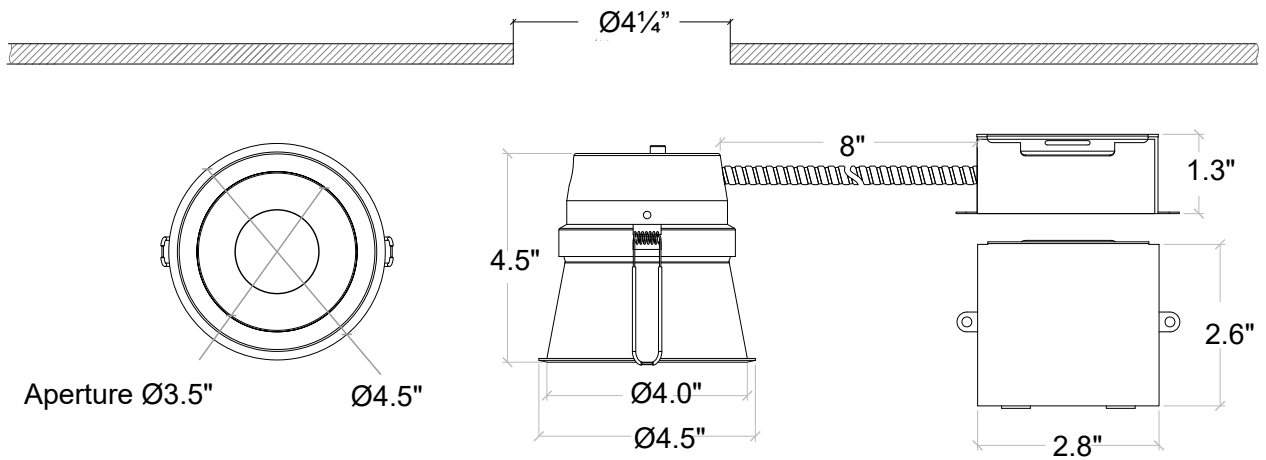


### CCT/Dimming Curve

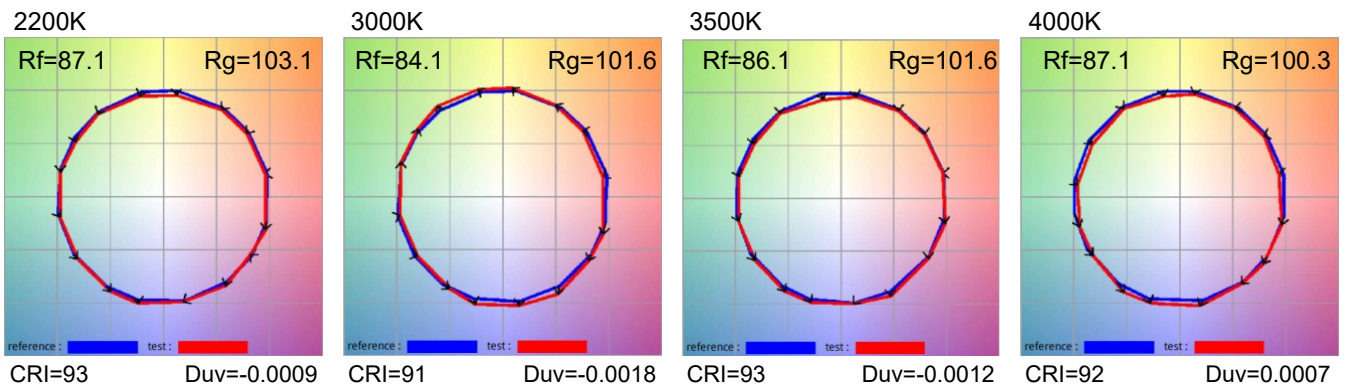


# MIZAR R004 4" Fixed Recessed Downlight

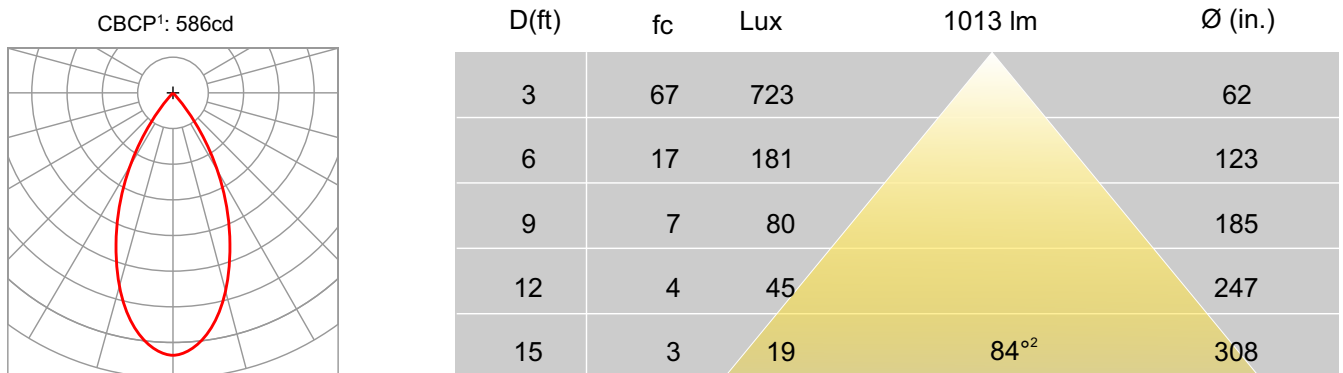
## Dimensions



## Colorimetric Data



## Photometric Data



<sup>1</sup> CBCP: Centre Beam Candlepower

<sup>2</sup> FWHM: Full Width Half Maximum Angle