



LSC series

Linear Strip Commercial light
Selectable Power and CCT
Voltage input 120V-347V

Description

The LSC series linear strip light mounts easily on ceilings individually or connect to end-to-end for continuous runs. The fixture provides comfortable and highly efficient ambient lighting for commercial and industrial applications.

Order Information

Example: LSC-4-3CCT-OCC

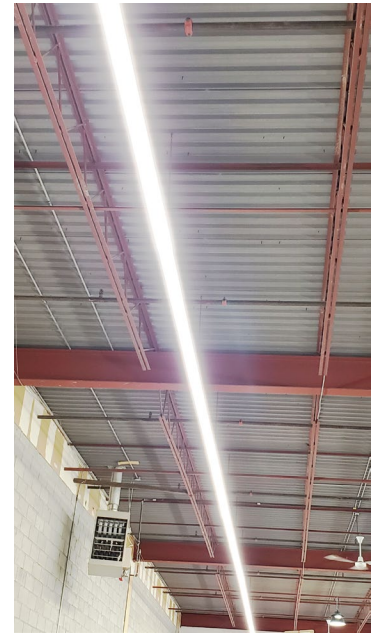
Model LSC	Lenght	Power (Selectable) SW	CCT (Selectable) 3 CCT	Options
LSC	4 - 4 Feet	34W/4590lm 38W/5130lm 45W/6075lm	3500K 4000K 5000K	WG -Wireguard SC - Suspension Cables OCC -Occupancy sensor
	8 - 8 Feet	65W/8775lm 75W/10125lm 90W/12150lm		

Project Name :
Location :
Quantity :
Date :
Note :



Specifications

- **Input Voltage:** Universal 120-347V, 60Hz
- **Selectable Power Output:** 34-90W
- **Selectable CCT:** 3000K/4000K/5000K
- **Efficacy:** 120 LPW Nominal*
- **CRI:** >85
- **Beam Angle:** 120°
- **THD:** <20%
- **IP Grade:** IP20
- **Efficacy:** 135lm/W
- **Driver:** Flicker-free
- **Dimming Range:** 0-10V, 1%-100%
- **Listing:** cULus
- **Qualification:** DLC
- **Compliance:** CE,FCC, RoHS
- **Housing:** Painted cold rolled steel
- **Optics:** Frosted PMMA lens
- **Location:** Indoor, IP54 rated
- **Operating Temperature:** -20~ +45°C
- **Warranty:** 5 years



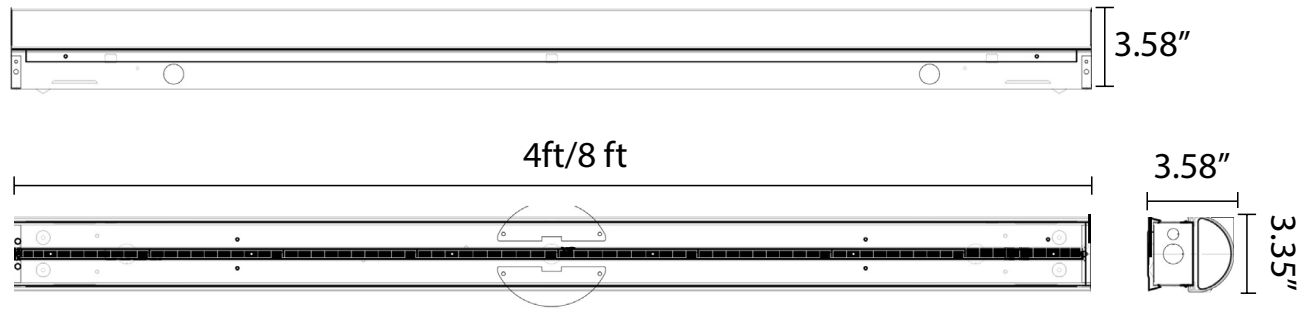
* Efficacy varies with CCT and power output. The actual efficacy is ±8% of the nominal LPW

** Complete warranty items located at www.vvydlighting.ca/warranty



LSC series Linear Strip Commercial light

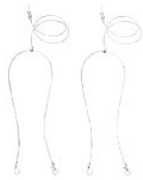
Dimensions



Accessories



Wire Guard



Suspension Cables



Occupancy Sensor