

**PRODUCT DESCRIPTION**

Offering lighting without hot spots at a 45-degree angle from a corner.  
Compatible with LED strip lights up to 16mm wide.  
As well as maintaining a minimalist style.



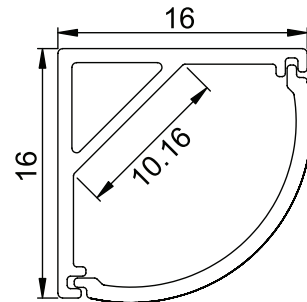
**ORDERING CODE**

| MODEL | LENGTH(in) |
|-------|------------|
| 1002  | 98         |

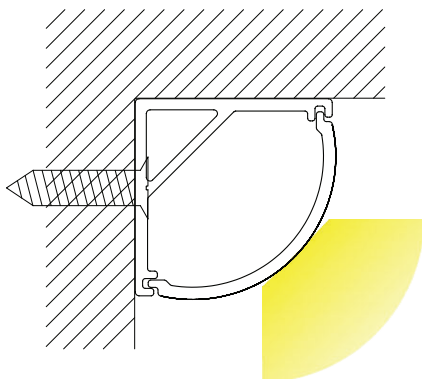
**SPECIFICATION**

|                       |             |
|-----------------------|-------------|
| <b>Dimension</b>      | 16mm x 16mm |
| <b>Length</b>         | 98"         |
| <b>Internal Width</b> | 10.5mm      |
| <b>Color</b>          | Silver      |

**DIMENSION**



**INSTALLATION**



**ACCESSORIES**



1002-MC



1002-EC