



Range 25

CCT/Power Selectable LED Track Light

ELV Dimmable | 2300 lumen | 25W

Product Description

Range 25 is a high performance portfolio dedicated to architectural lighting segment, provides super high quality of light with flicker free driver and glare free optics. No visible screw, sleek and compact cylinder housing and intrack driver design, makes the products look very charming. Range 25 can satisfy diversified customer's requirement, it can be track, surface and pendant mounted, offer 36° beam angle, 360° rotation and 180° adjustable, make it easy to be installed and suitable for different application

Order Information

Example: T25-3CCT-FD-H-B

Model	Colour Quality	Beam Angle	Adaptor	Finish
T25		FD	H	
Range 25 Track Light Power Selectable 15W/20W/25W	3CCT - 30/35/40K 27K - 2700K, CRI>90	FD - Flood 36°	H - Halo	B - Black W - White S - Silver

Features

Light Engine:

Equipped with multi CCT and multi power technology, it can be 3000K/3500K/4000K CCT switchable and 15W/20W/25W switchable

Optics:

No side glare, darklight optics for highest visual comfort with 30° shielding angle

Housing:

Sleek, compact cylinder housing and no visible screws

Driver:

Intrack driver, better looking after installation

Mounting:

360° rotation (horizontal), 90° adjustable (vertical)

Specification

Total lumen output max: 2375 lm

Delivered lumen max: 2300 lm

CRI: >90

Track connector: "H"

Power consumption: 21.2W @ 120V

Dimming: TRIAC,ELV

Power factor: >0.9

Input voltage: 120V,60Hz

Approved locations: IP20, Dry

Lumen maintenance: 70% @ 50,000 Hrs

Tilt: 90°

Rotate: 360°

THD: <15%

Certification: cETLus

Warranty: 5 years limited warranty

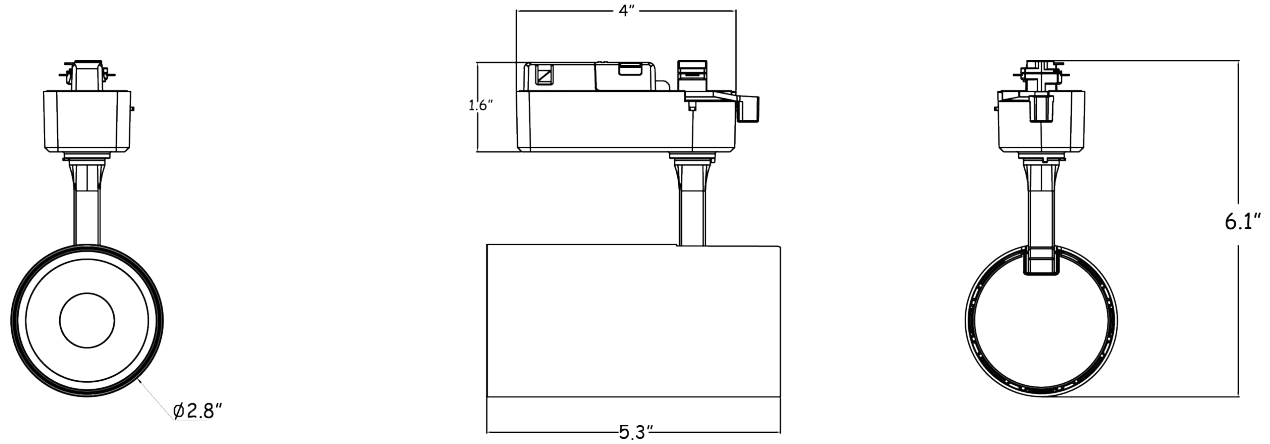
Project Name :
Location :
Quantity :
Date :
Note :



Consult website for detail:
www.vyvydlighting.ca/warranty

Range 25 CCT/Power selectable LED Track Light

Dimensions



Photometric Data

Flood

D (m)	Lux(lx)	1432 lumens	Ø (cm)
2	775		136
4	194		272
6	86		408
8	48		544
10	31		680

