



Specification Sheet

R003

Recessed LED Lighting

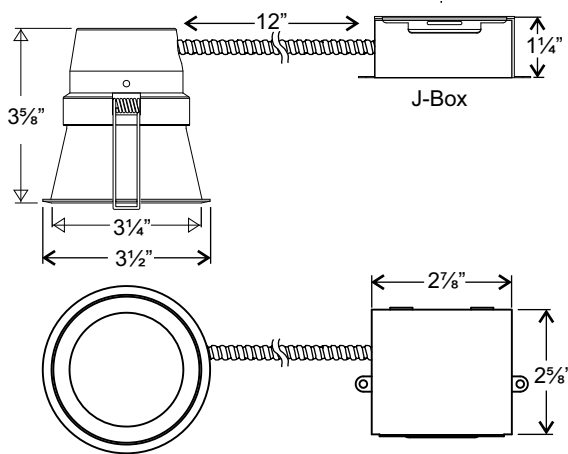
ELV DIMMABLE

Project Name:
Location:
Quantity:
Notes:

Product Description

Stylish narrow flange 3" LED recessed lighting kit that blends unobtrusively into the ceiling • IP44 rating, suitable for wet locations and insulated ceilings • Producing up to 700 lumens typical at 8.4W • Dimmable • Designed to provide 50,000 hours of life • 5 year warranty. Install without the need for a recessed can or third party j-box • Suitable for new construction, remodel and retrofit installation.

Dimensions



Specifications

Delivered lumen max: 680lm
 Power consumption: 8.4W
 Power Factor: >0.9
 Input Voltage: 120V, 60Hz
 Dimming: TRIAC,ELV
 IP Rating: IP44
 Hole Cut: 3 1/4 inch
 Approved Location: Wet/Insulated Ceiling
 Lumen Maintenance: 70% @ 60,000 Hrs
 Certification: cETLus
 Warranty: 5 years

Features

Trim: Powder coated spun aluminum reflector ring with knife-edge narrow flange design • Deep regressed lens with 25° cut-off angle provides uniform illumination and eliminates glare • All-in-one design where LED light engine is mounted directly to trim • Integrated j-box with 1/2" trade size knockout allows for easy wiring • Provided with spring clips for mounting.

Driver On Board (DOB) Light Engine This linear driver is integrated with LED on one circuit board, solving the problem of needing a separate LED driver • The light engine is capacitor-free, and thus are more reliable and have longer lifespan • Thermal regulation reduces the light output if the temperature of the chip is too high and has an onboard MOV for surge protection.

Options

Item No.	Colour Temperature	Finish
R003	25L - 2500K, CRI>90 27L - 2700K, CRI>90 30L - 3000K, CRI>90 40L - 4000K, CRI>90	W - White B - Black



R003

Integrated LED Recessed Light

Photometric Data for 3000K

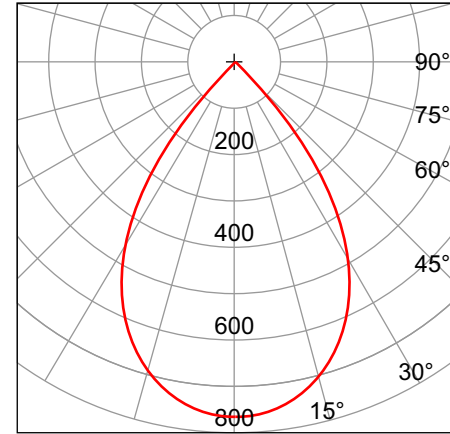
Distance (feet)	Beam Centre (fc)	Beam Ø (feet)
3	43	4.4
6	11	8.8
9	4.8	13
12	2.7	17
15	1.7	22

80° Beam Angle

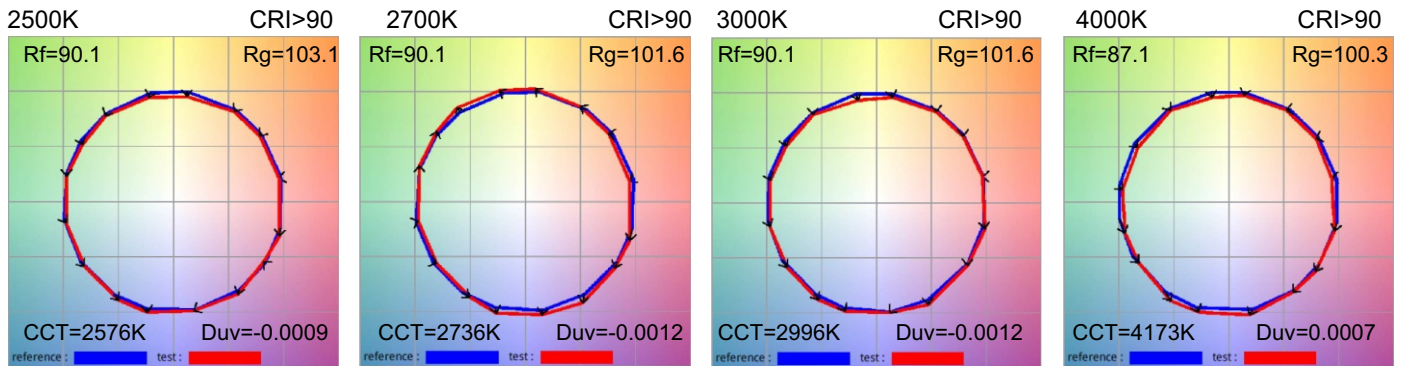
Data shown is for 3000K. Multiply fc by the following adjustment factors for other colour temperatures.

COB Type	2500K	2700K	4000K
Adjustment factors	0.92	0.96	1.13

Candlepower Distribution (Candela)



Colorimetric Data



Compatible Dimmers

Lutron S-603P
Lutron S-600
Lutron D-600R
Lutron DV-600P
Lutron CT-600P
Lutron LG-600P
Lutron NTLV-600
Lutron SELV-303P

Leviton RDL06-10Z
Leviton R70-6631-1LW
Leviton DDE06-BLZ
Leviton 002-6633-PLW
Leviton IPL06-10Z TRIAC
Leviton R62-6674-P0W
Leviton R70-6631-1LW

Accessory



RP325
3 1/4 inch rough-in plate