



Specification Sheet

T634 Track Head

TRIAC,ELV, MLV DIMMABLE

Integrated LED Lighting Fixture

Project Name:
Location:
Quantity:
Notes:

Product Description

T634 track head has a classic canister design to meet the functional and the aesthetic requirements for display, accent and task lighting. The fixture feature integral AC COB LED light source and TIR lenses that collimates the light into a beam spot that are even in the centre and smoothly fades to a soft edge, with minimal hot spot and light spill. The compact size is unobtrusive and can be easily concealed in recessed channels or coves.

Options

Example: T634-10-30K-15-H-B

Series	Power	COB (Colour Quality)	Beam Angle	Adaptor	Finish
T634	10	<input type="text"/>	<input type="text"/>	<input type="text"/>	<input type="text"/>
Integrated LED track light fixture	10 - 10W	30K - 3000K, CRI>90 40K - 4000K, CRI>90	20 - 20° 36 - 36°	H - Halo J - Juno L - Lightolier G -Global	B - Black W - White S - Silver



Features

Light Source:

High performance LED array provides outstanding reliability, performance and color quality/consistency

- 3000K or 4000K
- Chromaticity range within a 3-step MacAdam Ellipse
- 80 CRI minimum

Heat Sink Housing: The housing also serves as the heat sink that dissipates heat generated by the LED. It is made of cold forged engine grade high purity aluminum. Thermal conductivity of the forged housing is three times of conventional die-cast housing, thus providing much more effective heat dissipation.

Optics: Total Internal Reflection (TIR) lenses provides highly precise beam shapes. They have minimal glare and spill, reducing the occurrence of scallops when aiming on vertical surfaces

Solid State Driver: This new technology adopts the high-quality IC on board to replace the usual driver. A slide state driver has no electrolytic capacitor, thus increasing the lifespan.

Mounting: Available in "H", "J" and "L" type connectors that are compatible with most of the track rails in the market. The connectors allow for 350° rotation and 90° tilt.

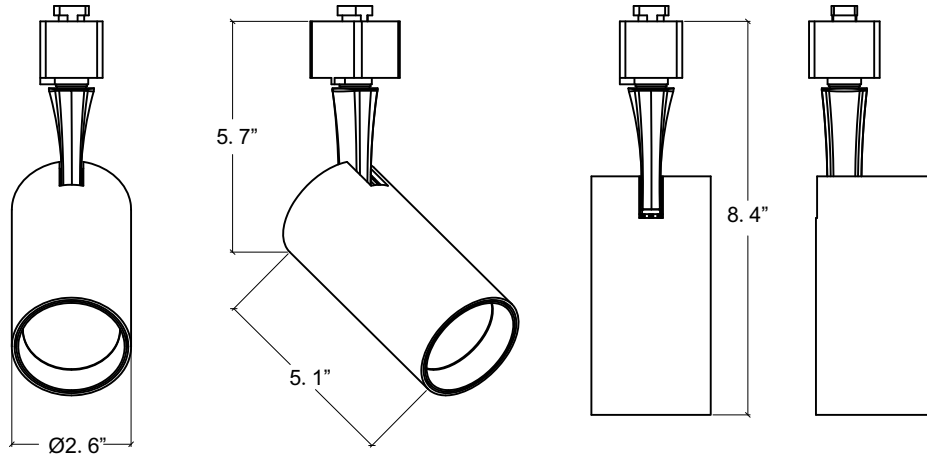
Specifications

CCT: 3000K/4000K/5000K
 CRI: >80
 Dimming: TRIAC,ELV,MLV
 Total lumen output max: 1100 lm
 Delivered lumen max: 700 lm
 Track connector: "H"/ "J"/ "L"/ "G"
 Power consumption: 10W
 Power Factor: >0.9
 Input Voltage: 120V, 60Hz
 Approved Location: IP20, Dry
 Lumen Maintenance: 70% @ 60,000 Hrs
 Tilt : 90°
 Rotate: 345°
 THD <20%
 Certification: cETLus
 Warranty: 5 years

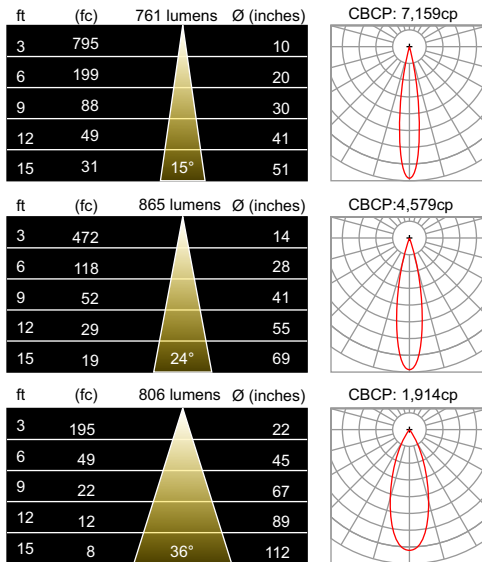
T634

Integrated LED Track Light

Dimensions



Photometric Data for 30C COB



Data shown is for 3000K. Multiply fc by the following adjustment factors for other colour temperatures.

COB Type	4000K	5000K
Adjustment factors	1.08	1.13

Compatible Dimmers

Lutron S-603P
 Lutron S-600
 Lutron D-600R
 Lutron DV-600P
 Lutron CT-600P
 Lutron LG-600P
 Lutron NTLV-600
 Lutron SELV-303P

Leviton RDL06-10Z
 Leviton R70-6631-1LW
 Leviton DDE06-BLZ
 Leviton 002-6633-PLW
 Leviton IPL06-10Z TRIAC
 Leviton R62-6674-P0W
 Leviton R70-6631-1LW