



R511 Recessed Light

Square Hyperbolic Trim

Specification Sheet

Integrated LED Lighting Fixture

Project Name:
Location:
Quantity:
Notes:

Product Description

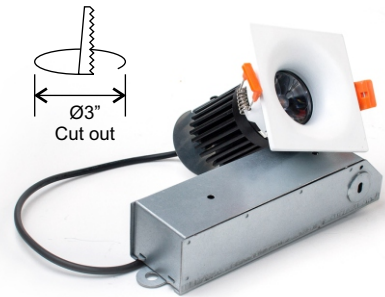
R502 thin flange trim recessed LED lighting fixture blends unobtrusively into the ceiling and minimizes glare. It offers the mud-in look without the mud-in installation cost. The combination M2 high power light engine, the stylish die-cast trim and the reliable driver makes this recessed lighting fixture an ideal choice to meet all functional and aesthetic requirements of residential and commercial applications.

Options

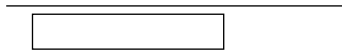
Example: R511-12-30C-13-B

Series	Power	Colour Quality	Beam Angle	Trim Colour
R511	<input type="text"/>	<input type="text"/>	<input type="text"/>	<input type="text"/>
Integrated recessed LED lighting fixture	9 - 9W 12 - 12W	25T - 2500K, CRI>95 27T - 2700K, CRI>95 30T - 3000K, CRI>95 30C - 3000K, CRI>90 35C - 3500K, CRI>90 40C - 4000K, CRI>90 DW - Dim Warming CRI>80 SO - Special Order	9 - 9° * 13 - 13° 20 - 20° 43 - 43° 56 - 56°	B - Black W - White

* 9° is available only in 9W



Accessory



43HC -43mm. honey comb louvre



Features

Light Source:

"C" Series COB LED is available in 3000K and 4000K. They emit colour boosting light that makes white appear whiter and colours more brilliant.

"T" Series COB LED is available in 2500K, 2700K and 3000K. They mimic the full spectrum light characteristics of incandescent lamps having CRI>95.

Optics: Total Internal Reflection (TIR) lenses provides highly precise beam shapes. They have minimal glare and spill, reducing the occurrence of scallops when aiming on vertical surfaces .

Driver: The ELV dimmable driver, available in 9W and 12W, is housed in a steel junction box.

Heat Sink is made of cold forged aluminum, which effectively dissipates heat generated by the LED to optimize the lifespan for a minimum 50,000 hr lifetime. The pin fin construction and the high purity aluminum provides very high heat dissipation efficiency, three times of conventional die-cast heat sinks.

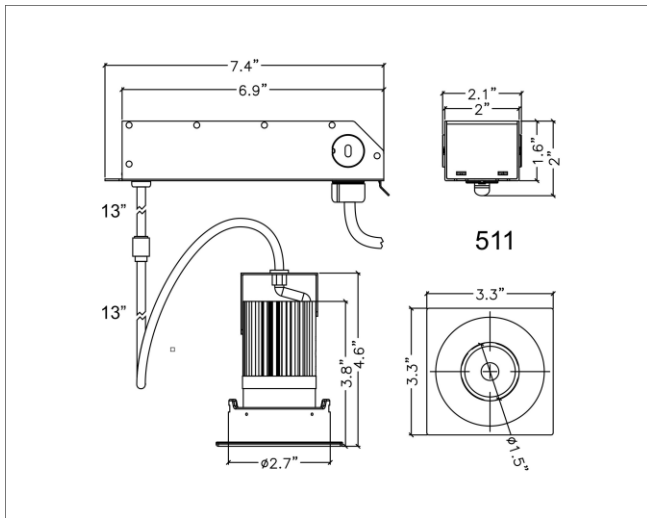
Housing: Install with Eurofase VHG-4101-00 housing for new construction insulated ceilings.

Specifications

CCT: 2500K / 2700K / 3000K / 4000K
 CRI: >90 / >95
 Tilt: None, fixed
 Dimming: ELV
 Total lumen output: 1300 lm @ 12W
 Delivered lumen: 790 lm @ 12W
 Cut out diameter : 3 inch
 Power consumption: 9W / 12W
 Power Factor: >0.9
 Power Driver Type: Constant Current
 Input Voltage: 120V, 60Hz
 Approved Location: IP20, Dry
 Lumen Maintenance: 70% @ 60,000 Hrs
 THD <20%
 Certification: cETLus

R511 Integrated LED Recessed Light

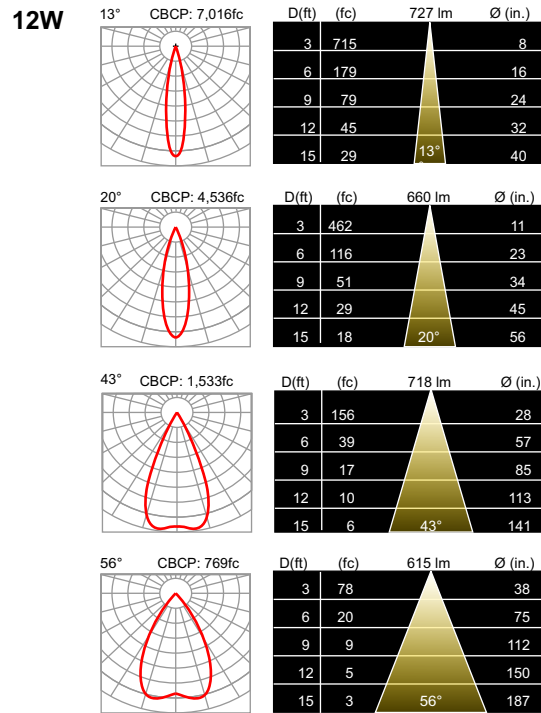
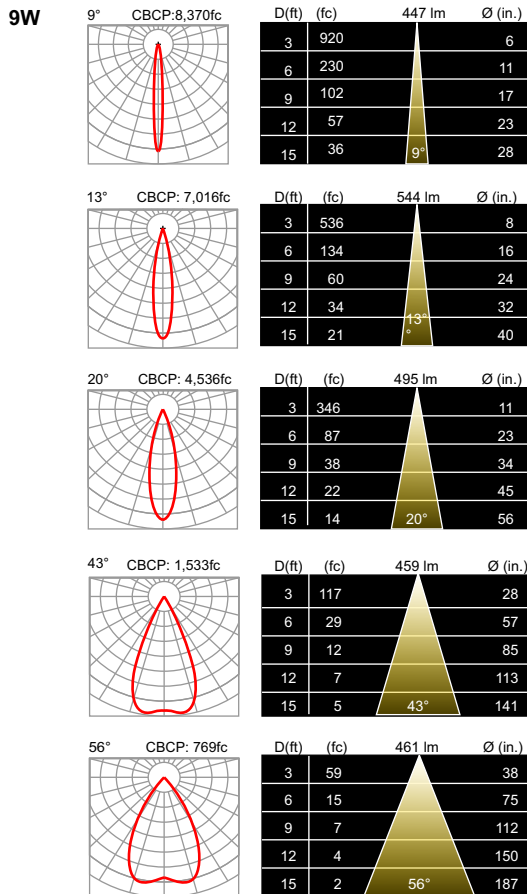
Dimensions



Compatible Dimmers

LUTRON	LEVITON
SkyLark SF-103P	6674
DVPDC-203P	6633-P
NTLV-600	Ip106
DVCL-153P	6684
SkyLark S600P	6613-P
DVEL-300P	Rp106
	IPL06
	IPE04
	6615-P

Photometric Data for 30C COB



Data shown is for COB 30C (3000K, 90CRI). Multiply fc by the following adjustment factors for other COBs

COB Type	25C	27T	30T	30C	40C
Adjustment factors	0.88	0.92	0.96	1.00	1.07