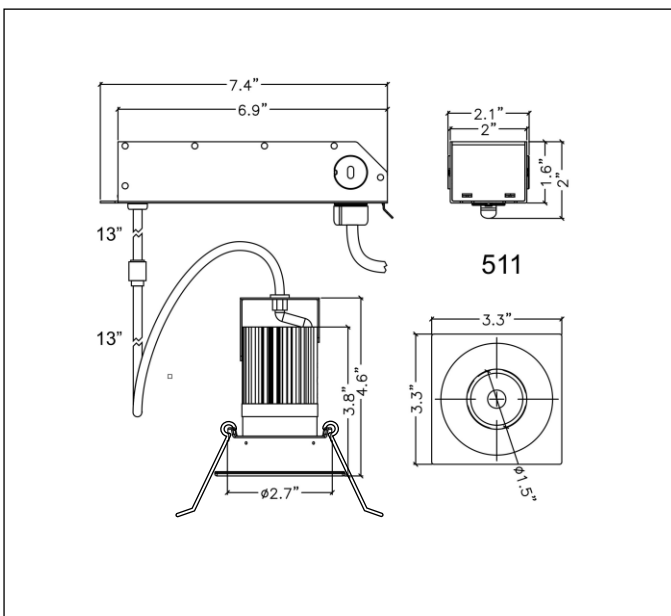
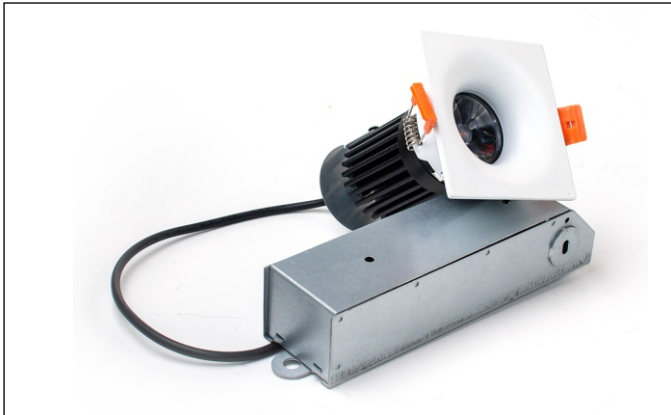


# R511

M2 Series  
Fixed Round Recessed LED Luminaire



## Description

The combination M2 high power light engine, the stylish die-cast trim and the reliable driver makes this luminaire an ideal choice to meet all functional and aesthetic requirements of residential and commercial down lighting.

## SPECIFICATIONS

Luminaire Type: Recessed Downlight  
 Light Source: Integrated COB LED  
 Approved Location: Dry  
 CCT: 2700°K / 3000°K / 4000°K  
 CRI: >90  
 Hole Cut Size: Ø 3"  
 Max. Lumen Output: 900  
 Max. Ceiling Thickness: 3/4"  
 Power Driver Type: Constant Current  
 Input Voltage: 120V, 60Hz  
 Dimming: TRIAC  
 Power Factor: >0.9  
 Lumen Maintenance: 70% @ 50,000 Hrs  
 THD <20%  
 Certification: cETLus



### M2 Light Engine:

- **Light Sources:** IMPRESSIONIST™ Series COB LED is our standard light source, which emits colour boosting light that makes white appear whiter and colours more brilliant. Also available in 3000K REALIST™, which mimics the light of halogen lamps with CRI>95.
- **Heat Sink** is made of cold forged aluminum. The pin fin construction and the high purity aluminum provides very high heat dissipation efficiency, three times of conventional die-cast heat sinks.
- **Optics:** Available with 6 choice of optical lenses ranging from 9° very narrow spot to 60° wide flood.

### Driver:

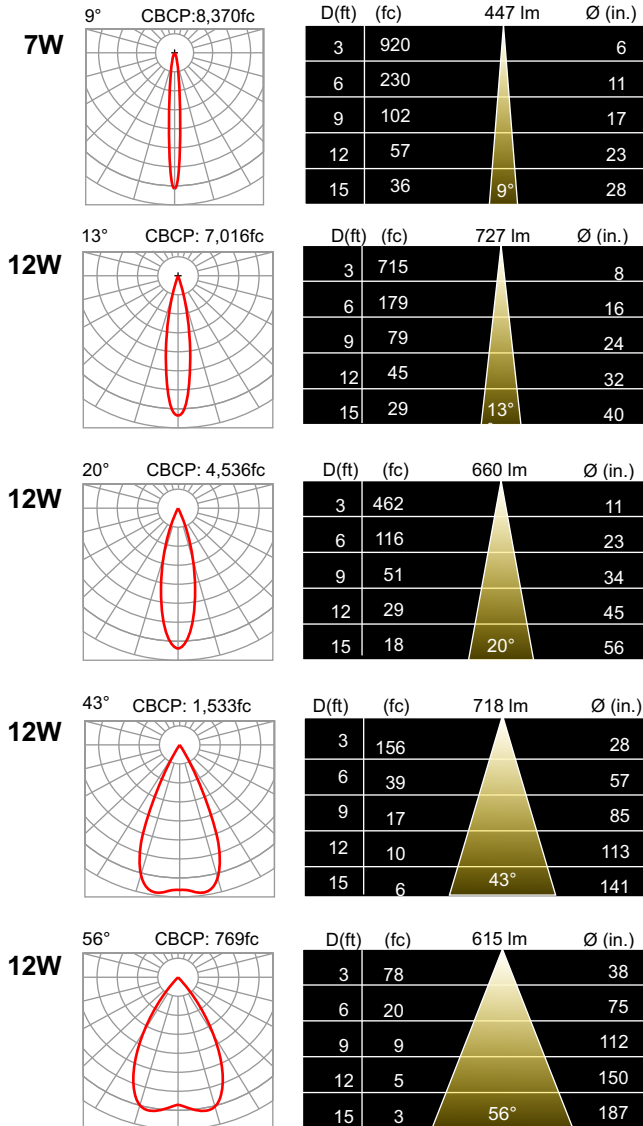
The remote TRIAC dimmable driver is available in 200ma (7W) 270ma (9W) and 350ma(12W). Compact driver enclosure is easily accessible for installation and maintenance from the trim opening.

### Trim

Can fit in ceiling from 1/2" to 3/4" thick. Requires a 6" clearance beyond the ceiling level. Offered in Remodel NON-IC (with optional mounting plate), new construction NON-IC and new construction IC configurations.

# R511 M2 Series Fixed Round Recessed LED Luminaire

## Photometric Data



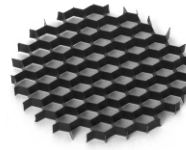
## Housing (Sold separately)

Install with Eurofase VHG-4101-00 housing for new construction insulated ceiling and direct contact with insulation.

## Compatible Dimmers

LUTRON	LEVITON
Skylark SF-103P	6674
DVPDC-203P	6633-P
NTLV-600	Ip106
DVCL-153P	6684
Skylark S600P	6613-P
DVEL-300P	Rp106
	IPL06
	IPE04
	6615-P

## Optional Accessory



Honeycomb Louvre

## Footcandle Multiplication Factors

	2700C	3000C	4000C	3000T
7W	0.52	0.62	0.64	0.55
9W	0.68	0.73	0.83	0.71
12W	0.92	1.00	1.10	0.95

## Ordering (Click inside the boxes to select options, then print the pdf form)

R511

Light Engine	Light Colour	Beam Angle	Trim Colour	Accessories
<input type="checkbox"/> 7W <input type="checkbox"/> 9W <input type="checkbox"/> 12W	<input type="checkbox"/> 27C - 2700K Impressionist <input type="checkbox"/> 30C - 3000K Impressionist <input type="checkbox"/> 40C - 4000K Impressionist <input type="checkbox"/> 30T - 3000K Realist <input type="checkbox"/> DW* - Dim Warming	<input type="checkbox"/> 9°* <input type="checkbox"/> 13° <input type="checkbox"/> 20° <input type="checkbox"/> 43° <input type="checkbox"/> 56°	<input type="checkbox"/> B- Black <input type="checkbox"/> W- White	<input type="checkbox"/> 43HC-Honeycomb

\* Please refer to Dim Warming Brochure for detail specification

\*\* 9° beam angle is only available with 7W light engine and 30T light colour